

ideal
HEATING

LET WARMTH
LIFT YOU UP





ideal
HEATING

54°C

welcome

CONTENTS

- 8 - Ideal boiler type
- 10 - Ideal boiler size
- 12 - Energy Efficiency
- 14 - Customer Service
- 16 - Our Products



ome

WELCOME TO OUR IDEOLOGY



Market leading
warranties



Year round
customer support



British made
since 1906

At Ideal Heating, we are experts in domestic heating and hot water solutions, that's why we believe in complete comfort and the last thing you should worry about is your boiler. That's why we rigorously test each and every one of our products with dozens of safety and reliability checks before they leave our Yorkshire based factory. This is why we confidently offer industry leading warranties on our boilers so we can go the extra mile for our customers.

We believe in delivering customer support that makes you smile. Should you need us, our UK based contact centre is open 364 days a year. If your query isn't resolved over the phone, we aim to get an engineer to your property the same day or the next.



**WE BELIEVE IN BRITISH
MANUFACTURING,** IN
1906 THE FOUNDATIONS
WERE LAID FOR OUR FIRST
FACTORY IN HULL, WHERE
OUR BOILERS ARE STILL
MANUFACTURED TODAY.





NATIONAL RADIATOR CO.
1906.

I S R

WHICH TYPE OF BOILER IS IDEAL FOR YOUR HOME?

COMBI

Boiler only



Our combi range includes our award winning Logic Max Combi and the unrivalled premium Vogue Max Combi boiler. Both models come in a range of outputs meaning they can heat homes of various sizes.



A combi boiler is perfect for a small to medium sized property, providing mains pressure hot water on demand with no need for a hot water cylinder or feed/expansion tank. They are the full package in one compact unit supplying heat to your radiator system, and hot water. Combi boilers are extremely efficient as they only heat water when it is needed, reducing bills and your household's carbon footprint.



SYSTEM

Boiler + Cylinder



The Vogue Max and Logic Max models are available in the Ideal system range. Both are perfect for homes with multiple bathrooms.



System boilers are suited to homes with multiple bathrooms and can provide a constant supply of hot water to numerous taps at once.



System boilers require a cylinder to store hot water, however, they don't require a feed/expansion tank, so they are ideal for larger properties with little or no loft space.

HEAT ONLY

Boiler + Cylinder + Water feed tanks



The Logic Max Heat comes with a 10 year parts and labour warranty and is compatible with a range of cylinders. Perfect for the replacement of most traditional boilers.



Heat only boilers are perfect for homes with multiple bathrooms, or where there is a large demand for hot water at once.



They are often thought of as a traditional boiler. They work alongside a separate hot water cylinder which is usually found in an airing cupboard, and a feed/expansion tank often found in the loft, so they are ideal for homes that already have a heat only boiler.

WHAT'S THE IDEAL SIZE?

All of our boilers come in a variety of capacities, starting at 12kW all the way to 40kW. Which size you should choose for your home will depend on how many radiators you have and how many bathrooms you have.

Assuming that your home's insulation is up to current building regulations and your home is fully double glazed, our chart will help you understand which size of boiler would suit you and your families needs.

APARTMENT

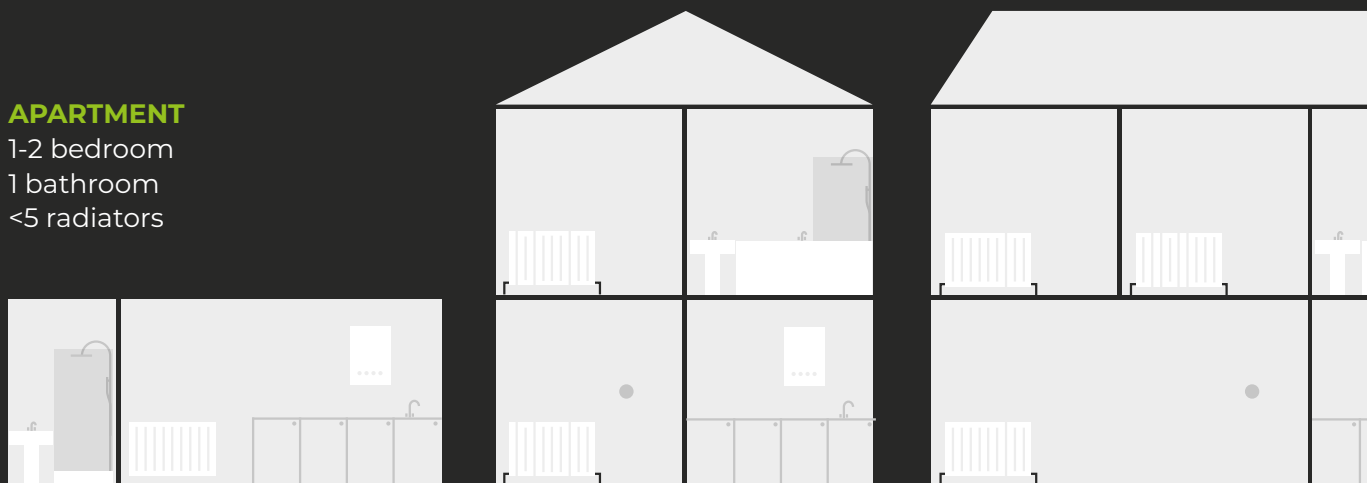
1-2 bedroom
1 bathroom
<5 radiators

SMALL HOUSE

1-2 bedroom
1 bathroom
<7 radiators

MEDIUM HOUSE

2-3 bedroom
1 bathroom
6-7 radiators



Combi	24-26kW		30-32kW
Heat & System	12kW	15kW	18kW
Cylinders	180-210		

OLD VS NEW

If you live in a brand new modern home, taking advantage of the latest energy saving technology with advanced insulation and well sealed doors and windows, your needs may be met by a smaller model.

In contrast, if you live in a characterful, older property that is prone to drafts with single glazed windows and limited insulation a larger model could be required to heat your home effectively.

FAMILY HOUSE

3-4 bedrooms
1 bathroom
1 ensuite
<10 radiators

LARGE FAMILY HOUSE

4-5 bedrooms
2 bathrooms
1 ensuite
<15 radiators



WE BELIEVE IN ENERGY EFFICIENCY

WHAT IS ERP?

- ErP is a regulation put in place by the European Union to increase the visibility of the efficiency and performance of heating and hot water products, allowing you to be aware of the impact of your purchases.
- Efficiency isn't something you need to worry about when choosing Ideal Heating, as all of our boilers achieve band A levels of efficiency, helping you to reduce your energy bills and carbon footprint.

WHAT IS BOILER PLUS?

- Boiler Plus is a new Government regulation that was implemented in April 2018, to improve energy efficiency in homes in England.
- Boiler Plus regulations only apply to replacement boilers being installed, so you don't need to worry about bringing your existing boiler up to standards.
- If you're having a replacement boiler fitted the good news is that Ideal Heating has everything you need to comply, with all of our boilers achieving at least 93% ErP rating as standard, and a whole range of controls to suit your needs!

All of our boilers
achieve band A ErP
rating of at least

93%

efficient



Green

WE BELIEVE IN QUALITY SERVICE EVERY DAY

Delivering industry leading customer support is our promise to you, which is why our UK based contact centre is open 364 days a year.



UK based call centre



7 days a week



364 days a year



Technically trained team



Approved
Service

Which?
Trusted traders

Ideal Heating
Out of warranty
repair & servicing



At Ideal Heating we understand the importance of quality customer care and post sales support, which is why we are investing £4 million in our services to support you.

If your query cannot be resolved over the phone, we have a team of service engineers all over the UK to ensure we provide a rapid response typically the same or next day.



To ensure we are always achieving highest standards of customer service, all our customers are offered the opportunity to provide feedback on their interactions with us.



We don't just offer industry-leading warranties, we offer industry-leading aftersales service for the life of our products. Our out-of-warranty servicing and repairs are endorsed as a Which? Approved Service, under their Trusted Traders scheme.

You can be assured after having one of our boilers fitted, you will continue to receive the highest standards of customer service even after the warranty expires.

CUSTOMER SERVICE:

01482 498660



OPENING TIMES

MONDAY TO FRIDAY

08:00 – 18:00

SATURDAYS AND BANK HOLIDAYS

(EXCLUDING CHRISTMAS DAY)

08:00 – 16:00

SUNDAYS

08:00 – 12:00



WE BELIEVE
IN QUALITY AND
PERFORMANCE

VOGUE MAX

Over a century of heating innovation has led to one thing: the Vogue Max.

A combination of sleek aesthetics and best in class components means the Vogue Max sits at the pinnacle of the Ideal range with an impressive 12 year warranty*.

Combi: 26, 32, 40

System: 15, 18, 26, 32

PUT A VOGUE MAX IN YOUR HOME

Scan the symbol with your phone to see a Vogue Max combi or system in your home now. You don't need an app, just open the camera and follow the instructions to see the boiler in 3D.

Scan over a flat surface and see a scale model in your home to check the style and approximate size.





BRITISH MADE SINCE 1906

First created at our factory in Yorkshire, the Vogue Max has been designed, developed and built in the UK. Each year we invest into our UK based research and development facility ensuring our boilers are at the cutting edge of heating technology.



AWARD WINNING BOILERS

Our boilers have been awarded Good Housekeeping Reader Recommended status for four consecutive years, for ease of use and low noise levels amongst other outstanding product details that left customers wanting to recommend Ideal Heating to their friends and families.





Stylish aesthetics



Premium components



Easy to use full colour display



Quick and easy to install



Easy to service



The Vogue Max Combi is our unrivalled premium combi boiler, designed and built with best in class components, including a quality stainless steel heat exchanger for your peace of mind.



WE BELIEVE IN PROTECTING YOUR HEATING SYSTEM

The Vogue Max comes with an Ideal System Filter in the box. Our system filter has been proven to ensure long lasting protection of the boiler and heating system with no compromise on performance.



Quality forged brass construction with nickel plating



Powerful neodymium magnetic assembly

COMBI OR SYSTEM?

Our Vogue Max range comes in both combi or system models in a range of outputs.

A Vogue Max combi is great for homes with a family bathroom and average hot water usage. With outputs up to 40kW it is perfect for large homes making sure every corner of your home is warm.

The Vogue Max system is ideal for homes with multiple bathrooms and large hot water demand. Available from 15kW up to 32kW there is Vogue Max system available homes of any size.



Combi available up to 40kW



System available up to 32kW



VOGUE MAX OUTPUTS

COMBI

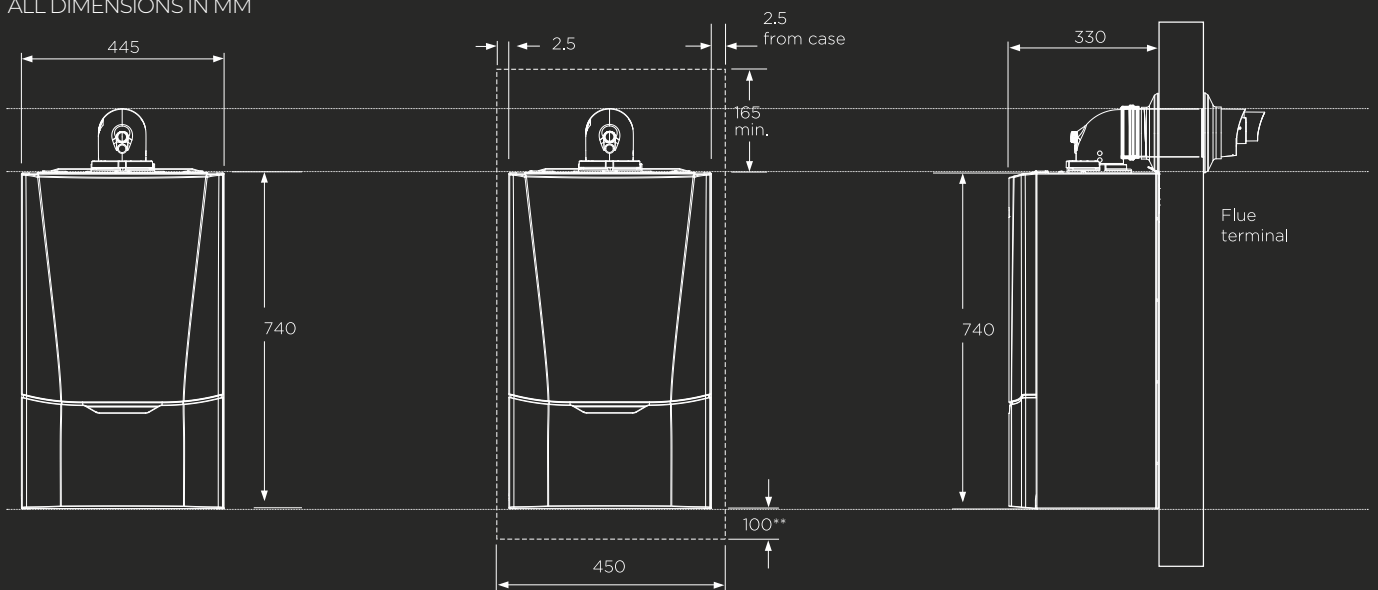
- 26kW
- 32kW
- 40kW

SYSTEM

- 15kW
- 18kW
- 26kW
- 32kW

DIMENSIONS & CLEARANCES

ALL DIMENSIONS IN MM



Note: The minimum front clearance when built into a cupboard is 5mm from the cupboard door but 450mm overall clearance with the cupboard door open is required for servicing.
 **Bottom clearance after installation can be reduced to 5mm. However, 100mm is required for servicing.

WE BELIEVE IN RELIABILITY AS STANDARD

LOGIC MAX

With over three million Logic boilers sold in the UK, it has the reputation as one of the most reliable boilers available. We back this up with our 10 year warranty as standard for the Logic Max.

Combi: 24, 30, 35

System: 15, 18, 24, 30

Heat: 12, 15, 18, 24, 30

PUT A LOGIC MAX IN YOUR HOME

Scan the symbol with your phone to see a Logic Max combi, system or heat only in your home now. You don't need an app, just open the camera and follow the instructions to see the boiler in 3D.

Scan over a flat surface and see a scale model in your home to check the style and approximate size.





A DECADE OF INNOVATION

For over a decade our Logic range has been heating homes all over the UK. In January 2020 we built our three millionth Logic boiler meaning we will be providing reliable warmth to millions of people for years to come.

First launched in 2009 the Logic range represents over 100 years of our advancement in heating technology. Our time served experience and products can give you peace in mind.



WE BELIEVE IN A QUIET HOME

The Logic Max Combi has been awarded the Quiet Mark, and is one of only a very small number of boiler ranges to have achieved this.

Our boilers have also been awarded Good Housekeeping Reader Recommended status four years in a row. For outstanding product features that left customers wanting to recommend Ideal Heating to their friends and families.





Quick and easy to install



Easy to service



Compact cupboard fit



Low component count maximising reliability



Easy to use fully back-lit LCD display



Providing you with confidence and peace of mind the Logic Max has a full parts and labour warranty for 10 years. Which demonstrates just how confident we are in the quality and reliability of our boilers.



WE BELIEVE IN PROTECTING YOUR HEATING SYSTEM

The Logic Max comes with an Ideal System Filter in the box. Our system filter has been proven to ensure long lasting protection of the boiler and heating system with no compromise on performance.



Quality forged brass construction with nickel plating



Powerful neodymium magnetic assembly

COMBI, SYSTEM OR HEAT?

Our Logic Max range comes in both combi, system and heat only models with a wide range of outputs.

A Logic Max combi is great for homes with a family bathroom and average hot water usage. With outputs up to 35kW it is perfect for making sure every corner of your home is warm.

The Logic Max system is ideal for homes with multiple bathrooms and large hot water demand. Available from 15kW up to 30kW there is Logic Max system available homes of any size.

If your home has a water tank and hot water cylinder the Logic Max heat could be ideal.



Combi available up to 35kW



System & Heat available up to 30kW

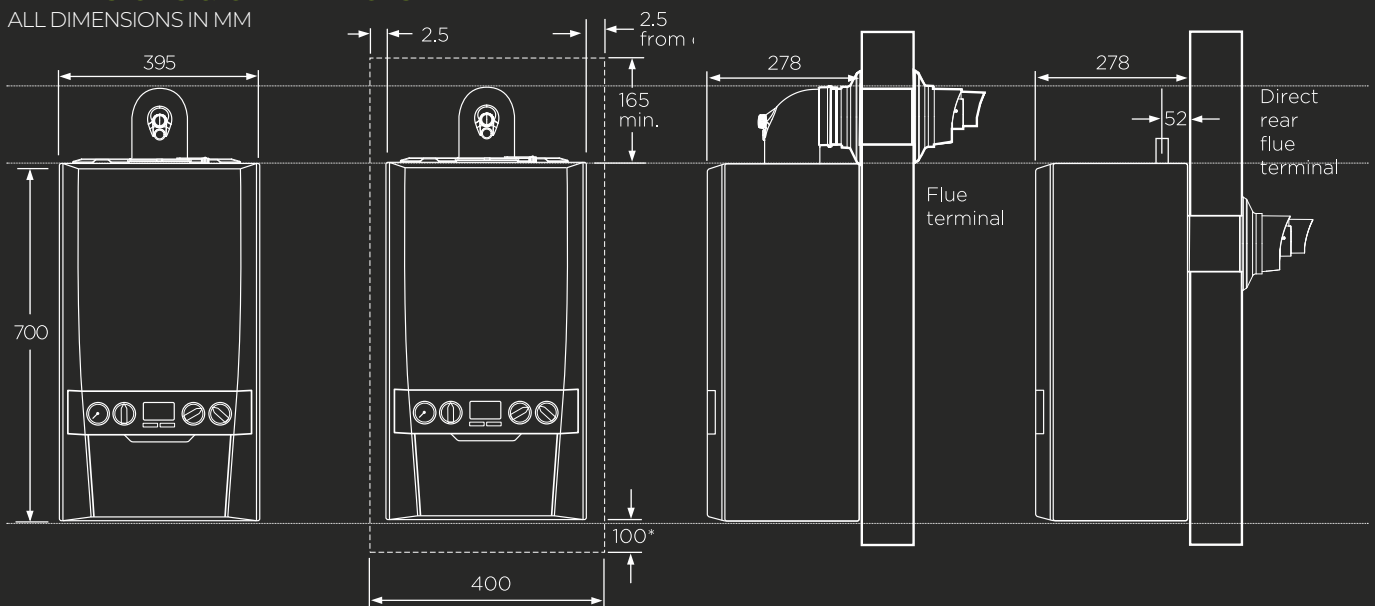


LOGIC MAX OUTPUTS

COMBI	SYSTEM	HEAT
- 24kW	- 15kW	- 12kW
- 30kW	- 18kW	- 15kW
- 35kW	- 24kW	- 18W
	- 30kW	- 24kW
		- 30kW

DIMENSIONS & CLEARANCES

ALL DIMENSIONS IN MM



Note: The minimum front clearance when built into a cupboard is 5mm from the cupboard door but 450mm overall clearance with the cupboard door open is required for servicing.
 *Bottom clearance after installation can be reduced to 5mm. However, 100mm is required for servicing. Rear flue option Logic Max Heat only.

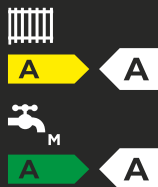
VOGUE



BEST IN CLASS

The Vogue provides stylish aesthetics and premium components combined with an 8 year warranty.

With an easy to use colour screen, high outputs of up to 40kW (combi) and a quality stainless steel heat exchanger it is truly a premium boiler.



VOGUE OUTPUTS

COMBI

- 26kW
- 32kW
- 40kW

SYSTEM

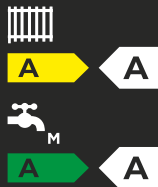
- 15kW
- 18kW
- 26kW
- 32kW

LOGIC+



AWARD WINNING BOILER

The Logic+ has received Good Housekeeping Reader Recommendation for three years in a row along with Quiet Mark recognition on the Logic+ Combi and System.



LOGIC+ OUTPUTS

COMBI	SYSTEM	HEAT
- 24kW	- 15kW	- 12kW
- 30kW	- 18kW	- 15kW
- 35kW	- 24kW	- 18W
	- 30kW	- 24kW
		- 30kW



WE BELIEVE IN TAKING CONTROL

At Ideal Heating we believe in complete comfort and the last thing you should worry about is your heating.

With our Ideal Halo controls you can manage the heating in your home to suit your lifestyle. Halo is available for all Ideal Logic and Vogue boiler ranges.



MAKING LIFE EASY, BY KEEPING THINGS SIMPLE

IDEAL HALO RF

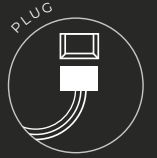
Designed specifically to work with your Ideal Boiler, Ideal Halo RF is a wireless programmable room thermostat that provides simple and easy heating control.

The Halo kit includes the Smart Interface that easily plugs direct into the front of the boiler and communicates wirelessly with the Halo control.

*Halo RF upgrade to WiFi for an additional fee.



HALO



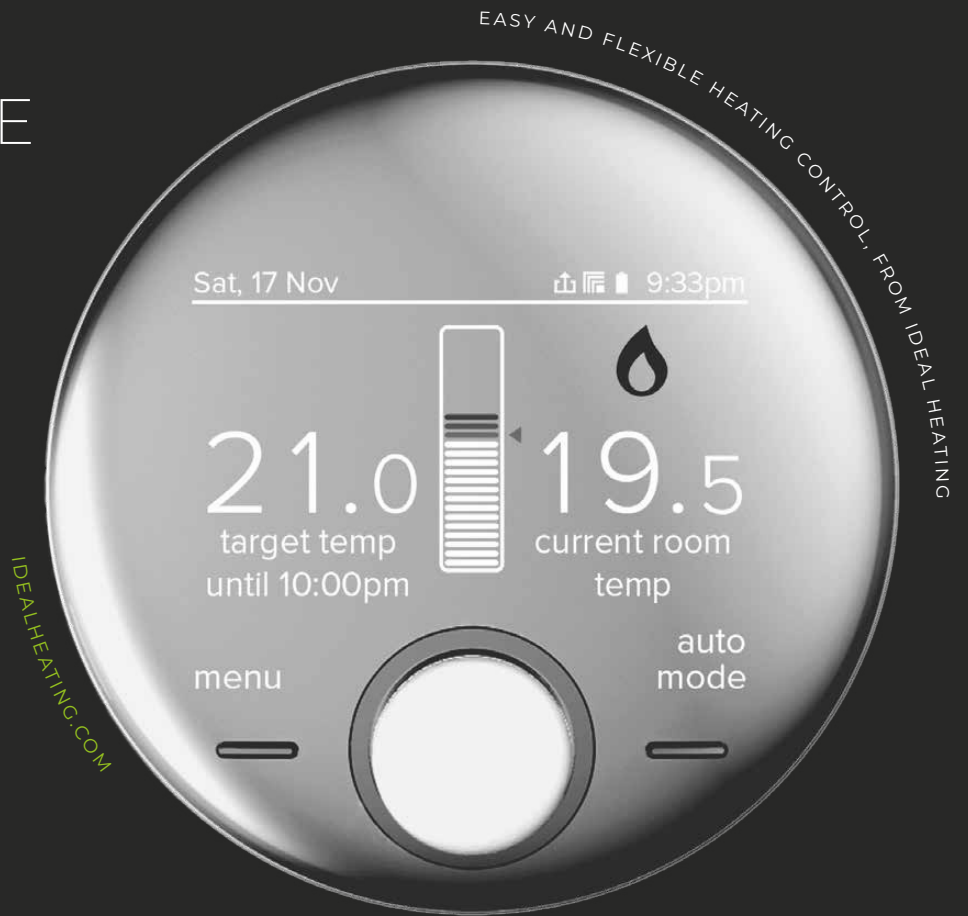
INTELLIGENT CONTROL FOR ULTIMATE COMFORT

IDEAL HALO WI-FI

The Ideal Halo Wi-Fi is an internet connected wireless programmable room thermostat, designed to work specifically with your Ideal Boiler.

Halo Wi-Fi allows heating control anytime, anywhere through the flexible and intuitive Halo app. With features such as geolocation and compatibility with smart home assistants such as Amazon Alexa and Google Home, Halo provides smart, intelligent heating control.

For the installer, Halo Wi-Fi is simple to install without the need for a separate Wi-Fi gateway. Simply plug and pair the Smart Interface and Halo and then follow the step-by-step guidance in the Halo app to link Halo to the home Wi-Fi.





Customer Service:

01482 498660

Technical Help:

01482 498663

Ideal Heating, PO Box 103, National Avenue,
Kingston upon Hull, East Yorkshire, HU5 4JN

E: enquiries@idealheating.com



idealheating.com |     

welcome to our ideology

The information in this brochure was correct at the time of going to print. Ideal Heating reserve the right to make any modifications to product specifications or any other details, without prior notification. For further clarification, please enquire in writing to the head office address above.